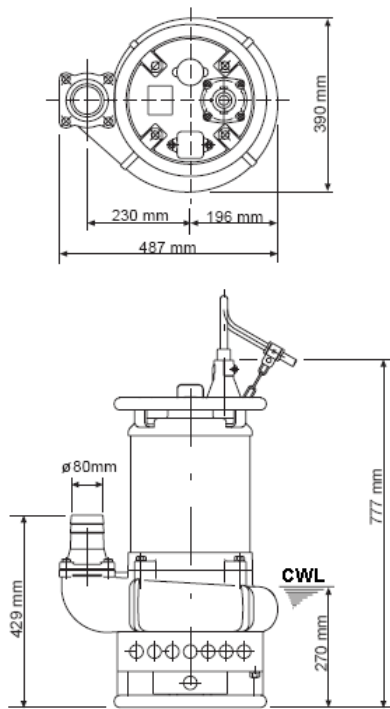
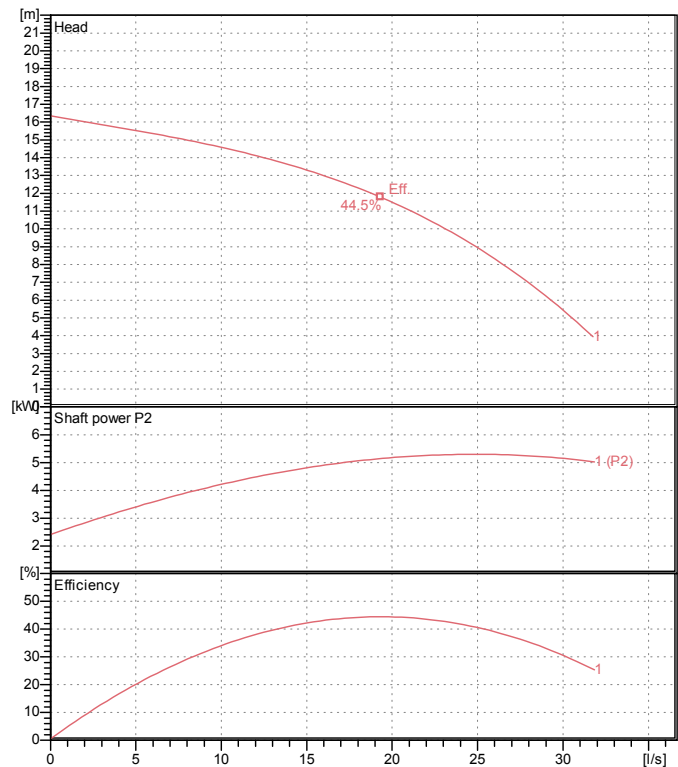


Data sheet GPN3-80



CWL: Continuous running water level



Specification

Electric submersible pump
 Degree of protection IP 68
 Depth of submersion max. 40 m
 Type of impeller Open
 Max. solid handling 30 mm
 Suitable for:
 sludge, slurry, liquids containing sand

Electric motor

Dry-type submersible induction motor
 Insulation class E 4Poles 1435 1/min
 Starting mode Directly
 Rated voltage 400 V 50 Hz 3~
 Power uptake 6.91 kW
 Rated power 5.50 kW
 Rated current 12.1 A
 Start current 87.0 A

Cable

20m H07RN-F 4Cx2,5mm²

Motor Protection

Circle thermal protector
 (snap-action bi-metal device)

Shaft seal

Double inside mechanical seal in oil bath
 additional lubrication by oil lifting device
 Primary seal
 Silicon carbide on silicon carbide
 Secondary seal
 Stainless steel SUS420J2

Bearings

Shielded ball bearings, maintenance-free

Materials

Impeller	Chromium iron casting
Pump casing	FC200 (EN-GJL-200)
Motor Frame	FC150 (EN-GJL-150)
Shaft	SUS 1.7220 (chromium molybdenum)

Discharge size

3" (80mm) BS-coupling (threaded flange)

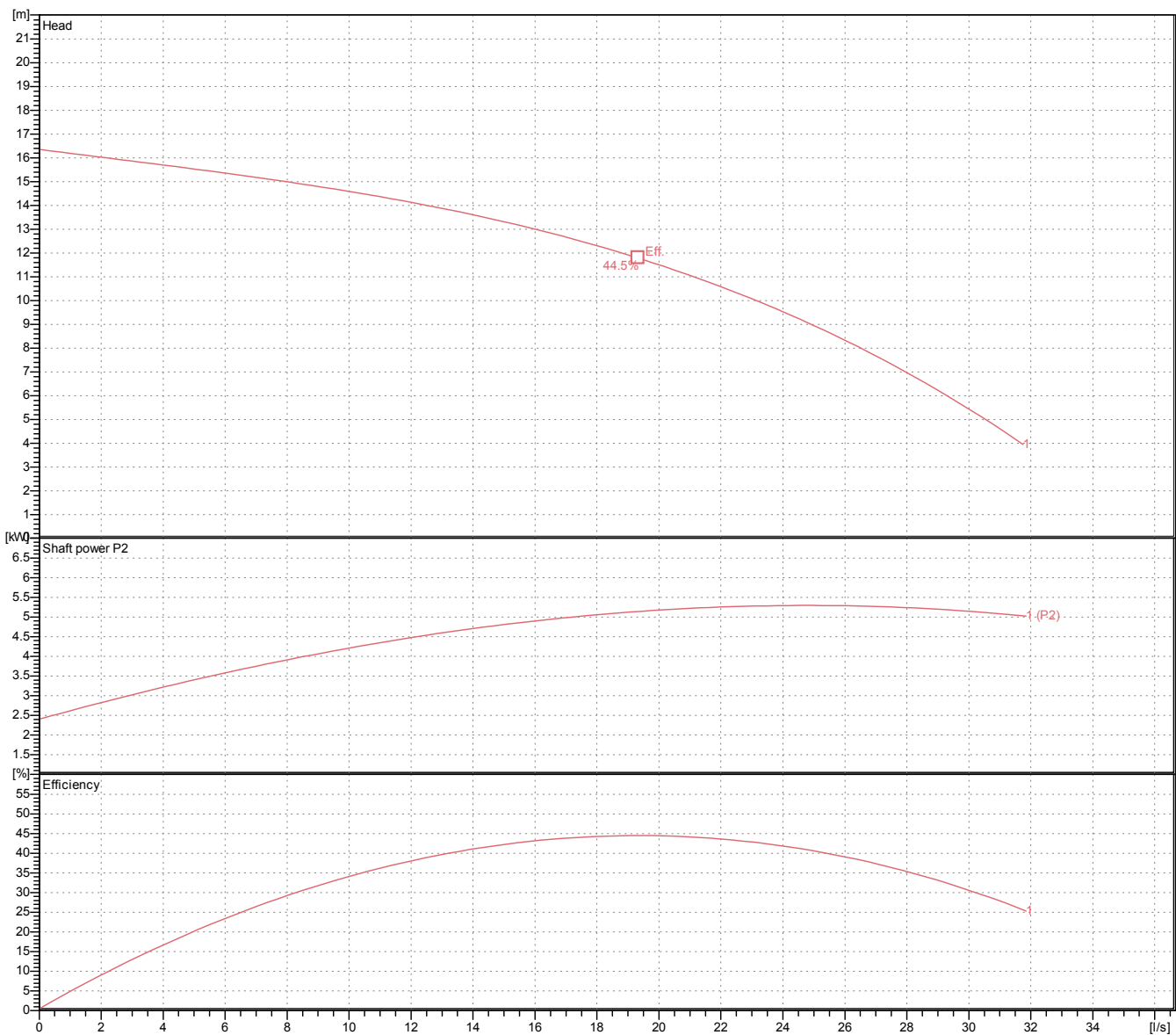
Weight

145 kg (dry weight of the pump only without cable)

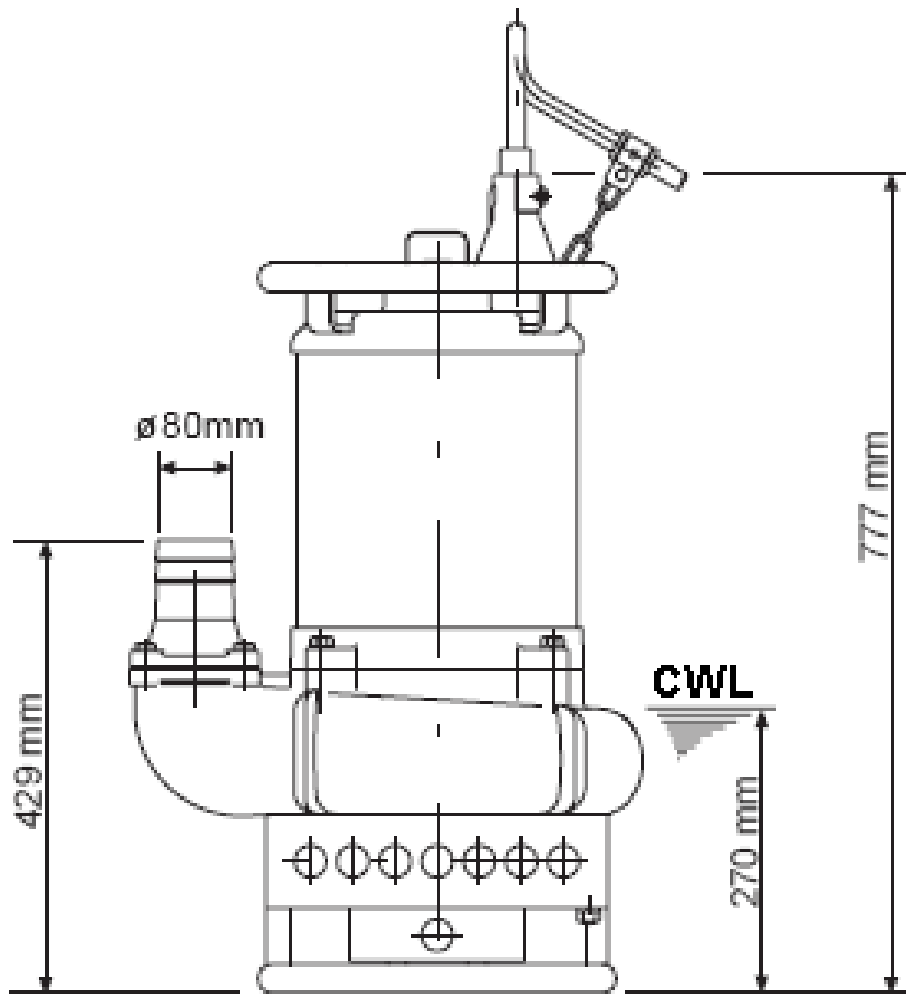
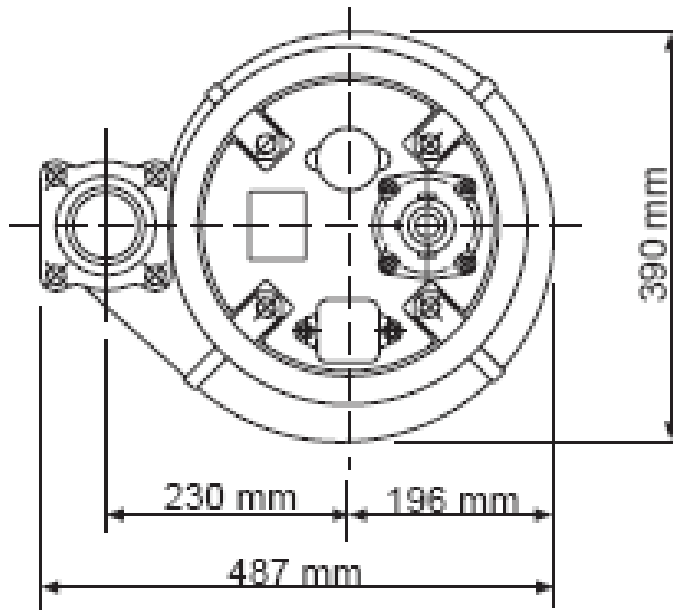
Performance curve

GPN3-80

Discharge port	3"
Head	16.4 m
Flow	31.8 l/s
Rated power	5.50 kW
Power input	6.91 kW
Phases	3~
Voltages	400 V
Frequency	50 Hz
Rated current	12.1 A
Starting current	87.00 A
Number of poles	4
Speed	1435 1/min
Starting mode	Directly
Insulation class	E



Dimensions GPN3-80



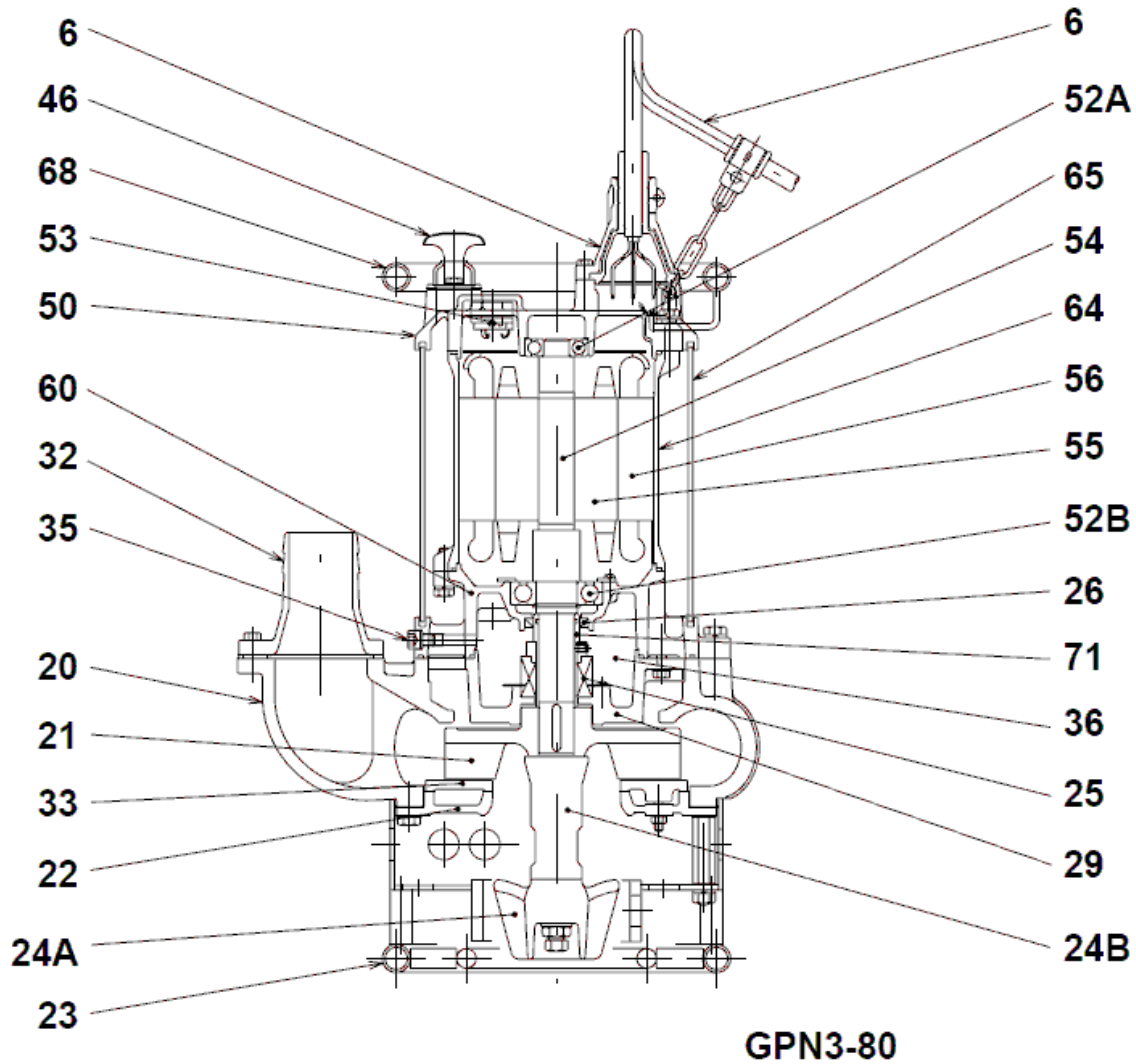
CWL: Continuous running water level
LWL: Lowest running water level

 **TSURUMI PUMP**

Tsurumi Europe GmbH
24.08.2011

Heltorfer Str. 14 * 40472 Düsseldorf * Germany
Tel.: +49-211-4179373 sales@tsurumi.eu
Fax: +49-211-4791429 www.tsurumi.eu

Sectional drawing GPN3-80



No.	Denomination	Remark	No.	Denomination	Remark
1	Cable	20m H07RN-F 4Cx2,5mm ²	52A	Upper bearing	6305ZZC3
6	Stuffing box	FC200 (EN-GJL-200)	52B	Lower bearing	6308ZZC3
20	Pump casing	FC200 (EN-GJL-200)	53	Motor Protector	.
21	Impeller	Chromium iron casting	54	Shaft	SUS 1.7220 (chromium molybdenum)
22	Suction cover	FC200 (EN-GJL-200)	55	Rotor	.
23	Strainer	Steel plate / steel pipe	56	Stator	.
24	Agitator	Chromium iron casting	60	Bearing Housing	FC150 (EN-GJL-150)
25	Mechanical seal	NH-40	64	Motor Frame	FC150 (EN-GJL-150)
26	Oil seal	TC45629	65	Outer Cover	Construction steel SS400
29	Oil casing	FC200 (EN-GJL-200)	68	Handle	electroplated steel pipe
32	Pressure socket	FC200 (EN-GJL-200)	71	Shaft protection sleeve	Stainless steel SUS304
33	Suction cover	Chromium iron casting			
35	Oil screw	Stainless steel SUS304			
36	Lubricant	Turbine oil (ISO VG32)			
46	Air vent valve	Steel plate			
50	Motor cover	FC150 (EN-GJL-150)			